

This guide explains how to install the DSW.2 subwoofer. For further information please visit:

meridian-audio.com/DSW2

1. UNPACKING

The DSW.2 weighs 22kg (48.4 lbs), so appropriate manual-handling precautions should be taken when removing the product from its carton.

Take care not to damage the outer finish of the DSW.2 while handling the product.

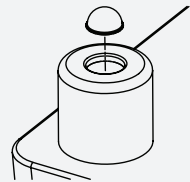
The DSW.2 is supplied with the following accessories:

- Power cord.
- Three rubber foot inserts.

If any of these items is missing, please contact your dealer.

NOTE: You should retain the packaging in case you need to transport the unit.

2. FIT THE RUBBER INSERTS



As supplied, the feet of the DSW.2 are suitable for soft carpeted surfaces. To use the DSW.2 on a hard surface, insert one of the supplied self-adhesive rubber inserts into the recess on each foot.

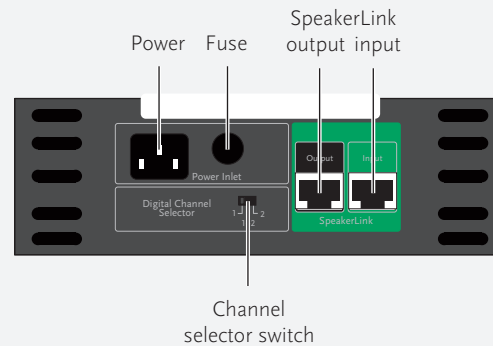
3. CONFIGURATION

The DSW.2 can be used in a variety of roles in a Meridian system. This flexibility makes it necessary to configure one or more of the Meridian products within the system in order for the DSW.2 to perform as intended.

For further details of the configuration required see the support pages for the DSW.2 and the other products in the system on the Meridian website.

4. CONNECTIONS

The following diagram shows the connections on the underside of the subwoofer.



Use this connection

SpeakerLink input

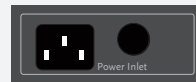
SpeakerLink output

To connect to this

The SpeakerLink output of a Meridian Surround Controller, Digital Pre-Amp, Digital Theatre Controller, or the SpeakerLink output of another DSP loudspeaker.

The SpeakerLink input of another DSP loudspeaker in the same daisy-chain as the DSW.2, or the SpeakerLink input of another DSW.2.

5. POWER UP THE DSW.2



Power up the DSW.2 with the supplied power cable.

6. CHANNEL SELECTOR SWITCH

If the DSW.2 is installed in a two-channel system:

Set the channel selector switch as follows:

- 1 left channel
- 2 right channel
- 1+2 a balanced mix of left and right channels

If the DSW.2 is used to play the dedicated Mono or LFE subwoofer channel from a Meridian Surround Controller:

Set the switch to 2.

If the DSW.2 is used to extend the bass of a single loudspeaker or a pair of loudspeakers in a surround system:

Set the switch as follows:

- 1 to extend a left-sided channel or the centre-channel
- 2 to extend a right-sided channel
- 1+2 to extend a left and right pair of channels

If the DSW.2 is used with the Meridian 271 Digital Theatre Controller

Refer to the documentation on the 271 support page on the Meridian website.

7. FURTHER INFORMATION

To access the DSW.2 user guide, datasheet, FAQs, and for further product support, please visit:

meridian-audio.com/support/DSW2

Or, scan the QR code here.



DSW.2 info

IMPORTANT SAFETY INSTRUCTIONS

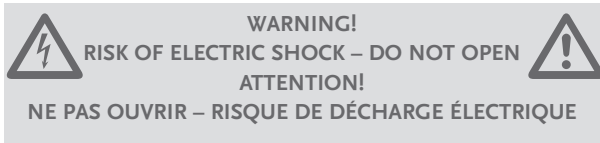
- Read the instructions.
- Keep these instructions.
- Follow all instructions.
- Do not use this apparatus near water.
- Clean only with a dry cloth.
- Install only in accordance with the manufacturer's instructions.
- Refer all servicing to approved service personnel.

WARNING: TO REDUCE THE RISK OF FIRE OR ELECTRIC SHOCK, DO NOT EXPOSE THIS APPARATUS TO RAIN OR MOISTURE.


This apparatus has been designed with Class 1 construction and must be connected to a mains socket outlet with a protective earthing connection (the third grounding pin).


This apparatus does not include a power switch. The apparatus may be isolated from mains power either by unplugging the power connector from the underside of the unit, or by unplugging the connector at the opposing end of the power cord or cable from its supply outlet. As a result, either or both of these connectors should remain accessible.

SAFETY WARNINGS



Caution: to reduce the risk of electric shock, do not remove cover. No user serviceable parts inside. Refer servicing to qualified service personnel.

 The lightning flash with arrowhead symbol, within an equilateral triangle, is intended to alert the user to the presence of uninsulated "dangerous voltage" within the product's enclosure that may be of sufficient magnitude to constitute a risk of electric shock to persons.

 The exclamation point within an equilateral triangle is intended to alert the user to the presence of important operating and maintenance (servicing) instructions in the literature accompanying the appliance.

IP20 EQUIPMENT

CLIMATE

The equipment has been designed for use in moderate climates and in domestic situations.

Only use at an altitude not exceeding 2000m.



SAFETY WARNINGS

- Do not expose the unit to dripping or splashing.
- Do not place any object filled with liquid, such as a vase, on the unit.
- Do not place naked flame sources, such as lighted candles, on the unit.

TO AVOID OVERHEATING

- Do not position the product in direct sunlight.
- Do not position the product near heat sources, such as a radiator.
- Leave at least 10cm around the product to ensure sufficient ventilation.

RADIO INTERFERENCE

FCC Warning: This equipment generates and can radiate radio frequency energy and if not installed and used correctly in accordance with our instructions may cause interference to radio communications or radio and television reception. It has been type-tested and complies with the limits set out in Subpart J, Part 15 of FCC rules for a Class B computing device. These limits are intended to provide reasonable protection against such interference in home installations.



EEC: This product has been designed and type-tested to comply with the limits set out in EN55032:2015 and EN55024:2010 + A1:2015.

SPECIFICATIONS

PHYSICAL

Dimensions: Height = 445mm (450mm with rubber inserts fitted), Width at base = 380mm, Depth at base = 430mm

Weight: 22kg

POWER

550W max

This product is available factory pre-set in the following voltage options:

- 100V AC 50-60Hz
- 110-120V AC 50-60Hz
- 220-240V AC 50-60Hz

Meridian Audio reserves the right to amend product specifications at any time.

Copyright © 2019 Meridian Audio Ltd.

Part no: P88490

Designed and manufactured in the UK by Meridian Audio Ltd. Meridian Audio reserves the right to make changes and improvements to any of the products described in this document without prior notice.

VISIT US ON THE WEB

www.meridian-audio.com



DSW.2 DIGITAL ACTIVE
SUBWOOFER